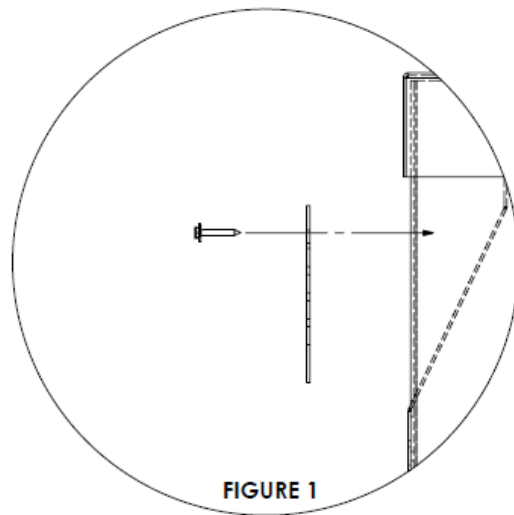


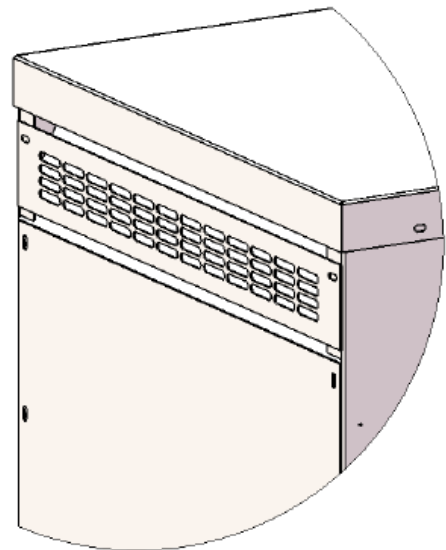
BIRD AND RODENT SCREEN KIT INSTALLATION INSTRUCTIONS

- 1) Read and understand all the instructions before beginning installation.
- 2) Check that no parts are missing from the rodent/bird screen kit.
- 3) If the transformer is energized, de-energize and lock out power supplying the transformer before proceeding.
- 4) Center the screen on the open vented area of the transformer. With the mounting slots on the top side, use two self drilling/tapping screws to mount the screen on the transformer.
- 5) Repeat step 4 on opposite side.



ITEMS SUPPLIED WITH WEATHERPROOF KIT

QTY:	DESCRIPTION
2	RODENT / BIRD SCREENS
1	INSTRUCTION SHEET





SEISMIC INSTALLATION KIT
OSHPD Retrofit GP Case (A, B, B+, C, C+, D & E)