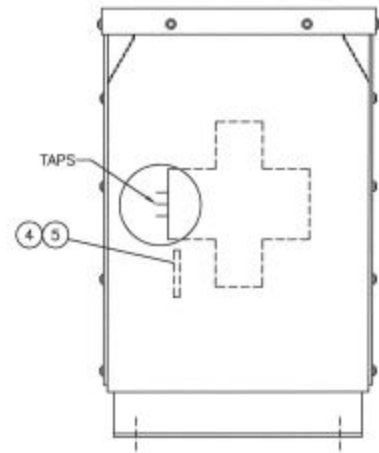
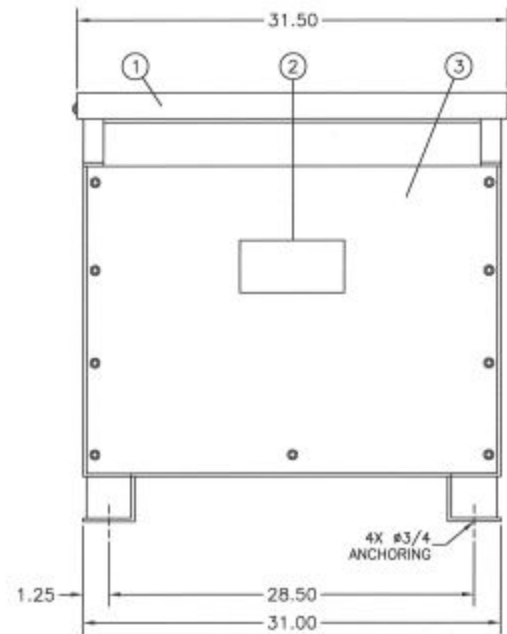
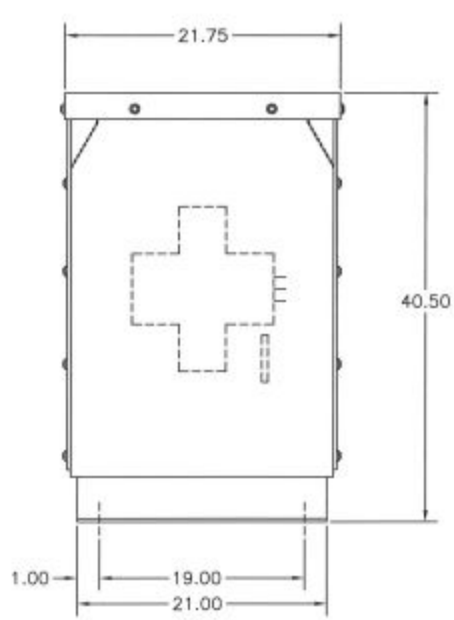


REFERENCE
ONLY



LEGEND		
ITEM	QTY	DESCRIPTIONS
1	1	TOP COVER - REMOVABLE
2	1	DIAGRAMATIC NAMEPLATE
3	2	FRONT & REAR PANEL - REMOVABLE
4	3	HV TERMINAL
5	4	LV TERMINAL



HT112A3B1-D16

S.O. NO:	
DWG FOR:	<input checked="" type="checkbox"/> RECORD <input type="checkbox"/> APPROVAL <input type="checkbox"/> QUOTE
CUST/JOB NAME:	-
CUST ORDER NO:	-
SERIAL NO:	-
ID TAG:	-
KVA: 112.5 HIGH VOLTAGE: 480 DELTA LOW VOLTAGE: 208Y/120 HV TAPS: 2A2B @ 2 1/2" HV-KV BIL: 10 LV-KV BIL: 10 PHASE: 3 FREQ-HZ: 60 TEMP RISE-°C: 150 COOLING CLASS: AA INSULATION CLASS: 220°C WINDING COND: COPPER PAINT/COATING: ANSI 61 LIGHT GRAY APPRX WT-LBS/KGS: 840/382	
<input type="checkbox"/> STANDARD <input checked="" type="checkbox"/> DOE 10CFR <input type="checkbox"/> K4 <input type="checkbox"/> K13 <input type="checkbox"/> K20	

- NOTES:
- 1) TRANSFORMERS ARE MANUFACTURED AND TESTED PER APPLICABLE ANSI, NEMA AND IEEE STDS, LATEST REVISION.
 - 2) UNLESS OTHERWISE SPECIFIED, ALL DIMENSIONS ARE IN INCHES WITH ± 1/4" TOLERANCE.
 - 3) TRANSFORMER IS UL & CSA LISTED AND LABELED.
 - 4) DOE 2016, 10CFR 431 EFFICIENCY - 112.5 KVA TRANSFORMER MEET OR EXCEED EFFICIENCY = 98.74% @ 75°C @ 35% LOAD.
 - 5) TRANSFORMER IS DESIGNED FOR INDOOR (NEMA 1) AND OUTDOOR (NEMA 3R) APPLICATION.
 - 6) TRANSFORMER NOT TO BE INSTALLED IN PUBLIC ACCESS AREAS OTHERWISE IT MUST BE FENCED OR ISOLATED.

PAGE 1 OF 1	SCALE: NONE	TITLE: TRANSFORMER OUTLINE DRY TYPE	<input checked="" type="checkbox"/> OUTDOOR
BY:	DATE: 02/17/17	GENERAL PURPOSE, CASE C (CASE 4)	<input checked="" type="checkbox"/> INDOOR
CADD: HM	CHKD: AH		
APPD: <i>A+L</i>	DATE: 2/22/17		
REVISIONS			



CAD NO. **MG000112.5K3-16-112YSC** REV.