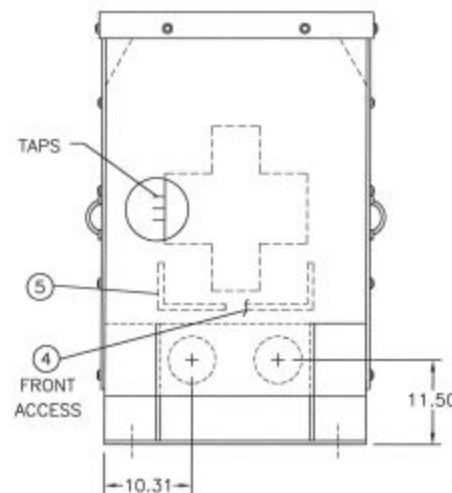
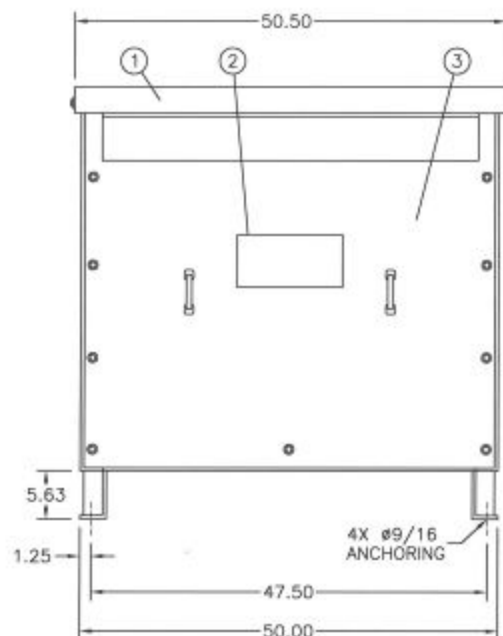
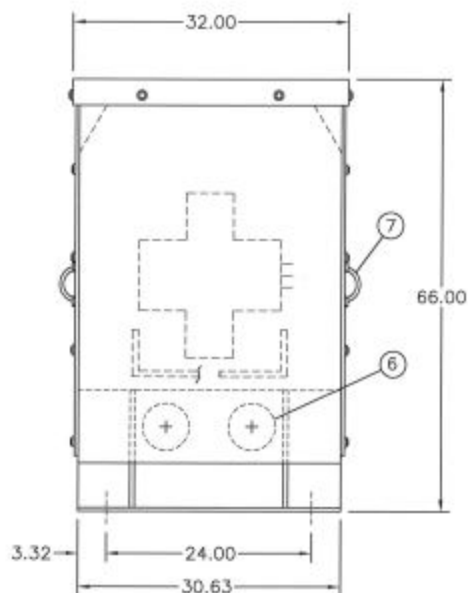


REFERENCE ONLY

LEGEND		
ITEM	QTY	DESCRIPTIONS
1	1	TOP COVER - REMOVABLE
2	1	DIAGRAMATIC NAMEPLATE
3	2	FRONT & REAR PANEL - REMOVABLE
4	3	HV TERMINAL
5	4	LV TERMINAL
6	4	PROVISIONS FOR Ø5" KNOCKOUT
7	4	PANEL HANDLE



HT500A3K1-D16



S.O. NO:	<input type="checkbox"/> RECORD	<input type="checkbox"/> APPROVAL	<input type="checkbox"/> QUOTE
CUST/JOB NAME:	-		
CUST ORDER NO:	-		
SERIAL NO:	-		
ID TAG:	-		
<p>KVA: 500  HIGH VOLTAGE: 480 DELTA  LOW VOLTAGE: 240 / 120 CT  HV TAPS: 2A4B 2 1/2%"  HV-KV BIL: 10  LV-KV BIL: 10  PHASE: 3  FREQ-HZ: 60  TEMP RISE-°C: 150  COOLING CLASS: AA  INSULATION CLASS: 220°C  WINDING COND: COPPER  PAINT/COATING: ANSI 61 LIGHT GRAY  APPRX WT-LBS/KGS: 2835/1289</p>			
<input type="checkbox"/> STANDARD <input checked="" type="checkbox"/> DOE 10CFR <input type="checkbox"/> K4 <input type="checkbox"/> K13 <input type="checkbox"/> K20			

NOTES:  
1) TRANSFORMERS ARE MANUFACTURED AND TESTED PER APPLICABLE ANSI, NEMA AND IEEE STDS, LATEST REVISION.  
2) UNLESS OTHERWISE SPECIFIED, ALL DIMENSIONS ARE IN INCHES WITH ± 1/4" TOLERANCE.  
3) TRANSFORMER IS UL & CSA LISTED AND LABELED.  
4) DOE 2016, 10CFR 431 EFFICIENCY - 500 KVA TRANSFORMER MEET OR EXCEED EFFICIENCY = 99.14% @ 75°C @ 35% LOAD.

PAGE 1 OF 1	SCALE: N/A	TITLE: TRANSFORMER OUTLINE DRY TYPE	<input checked="" type="checkbox"/> INDOOR
BY:	DATE:	GENERAL PURPOSE, CASE-E (CASE 7)	<input type="checkbox"/> OUTDOOR
CADD: HM	02/20/17		CAD NO.
CHKD: AH	02/20/17		MG00500N1-16-500DSC
APPD: AH	2/22/17		REV.