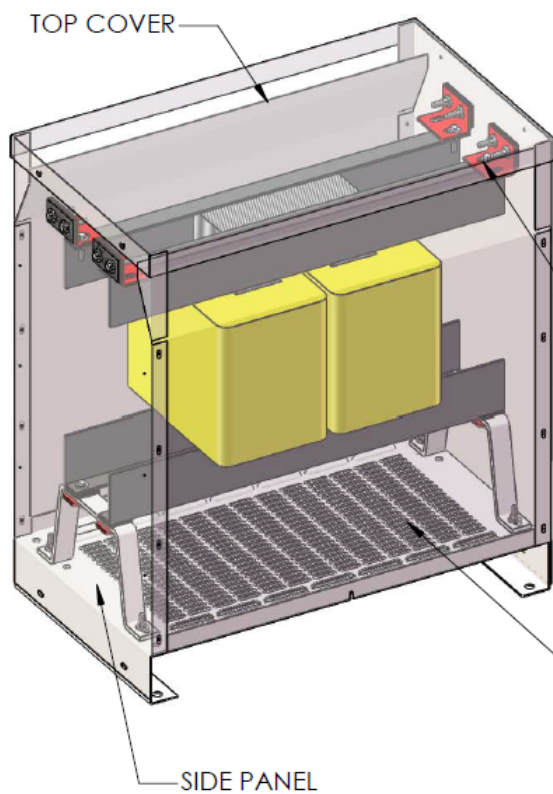


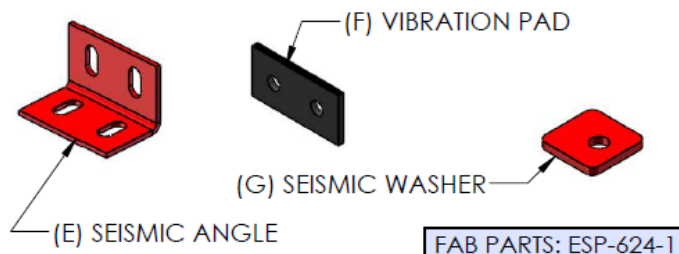


# SEISMIC KIT INSTALLATION

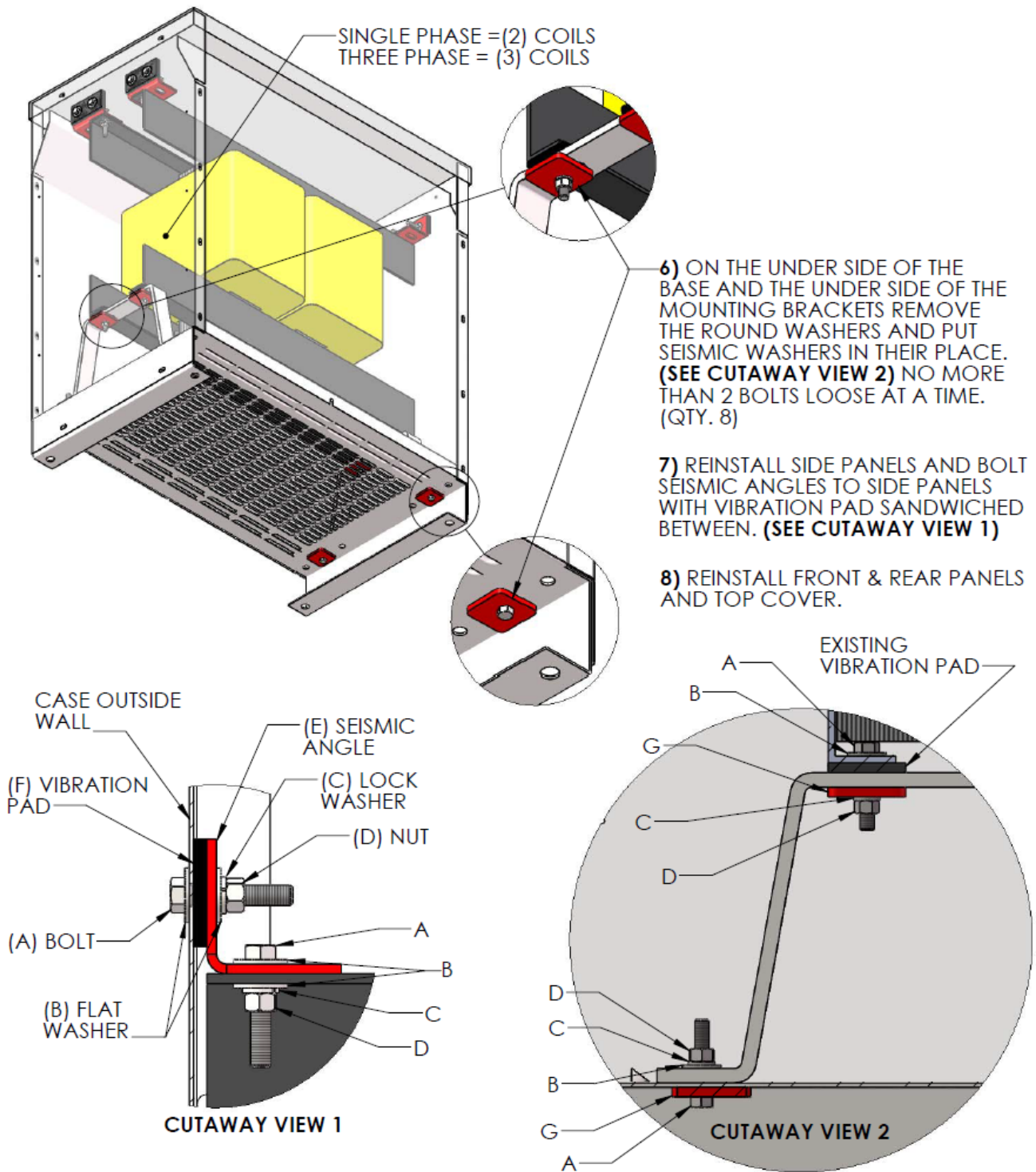
## OSHPD (Seismic) Retrofit GP Case (A, B, B+, C, C+)



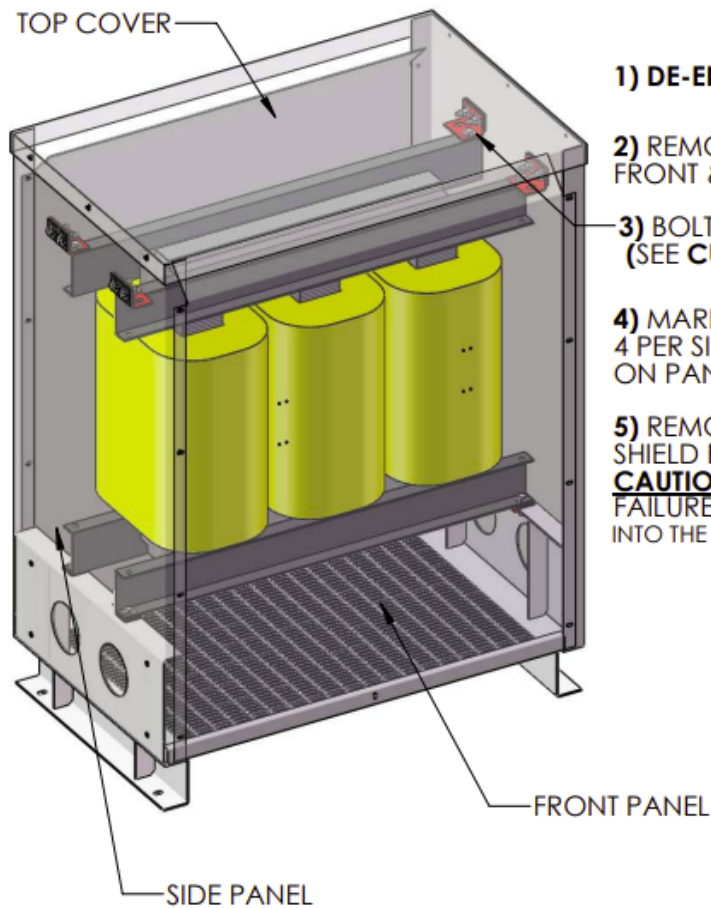
- 1) DE-ENERGIZE TRANSFORMER.
- 2) REMOVE TOP COVER AND FRONT & REAR PANELS.
- 3) BOLT SEISMIC ANGLE TO TOP CLAMP AS SHOWN. (SEE CUTAWAY VIEW 1 ON NEXT PAGE)
- 4) MARK HOLE LOCATIONS ON SIDE PANELS. (QTY. 4 PER SIDE) SEISMIC ANGLE MAY NOT BE CENTERED ON PANEL DUE TO CORE & COIL OFFSET.
- 5) REMOVE SIDE PANELS OR COVER COILS TO SHIELD FROM METAL SHAVINGS AND DRILL HOLES.  
**CAUTION:** METAL SHAVINGS CAN CAUSE ELECTRICAL FAILURE AND SERIOUS INJURY SHOULD THEY FALL INTO THE COILS.]



**\*\*DRAWINGS ARE FOR ILLUSTRATIVE PURPOSES ONLY. TRANSFORMER MODELS MAY VARY.\*\***



## OSHPD (Seismic) Retrofit GP Case (D & E)



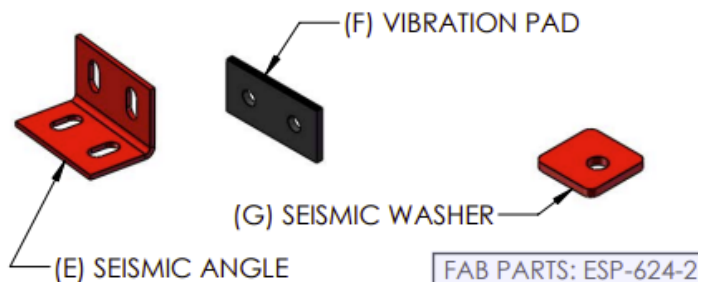
**1) DE-ENERGIZE TRANSFORMER.**

**2) REMOVE TOP COVER AND FRONT & REAR PANELS**

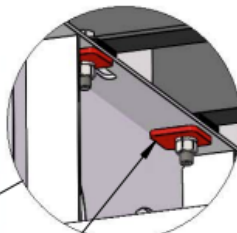
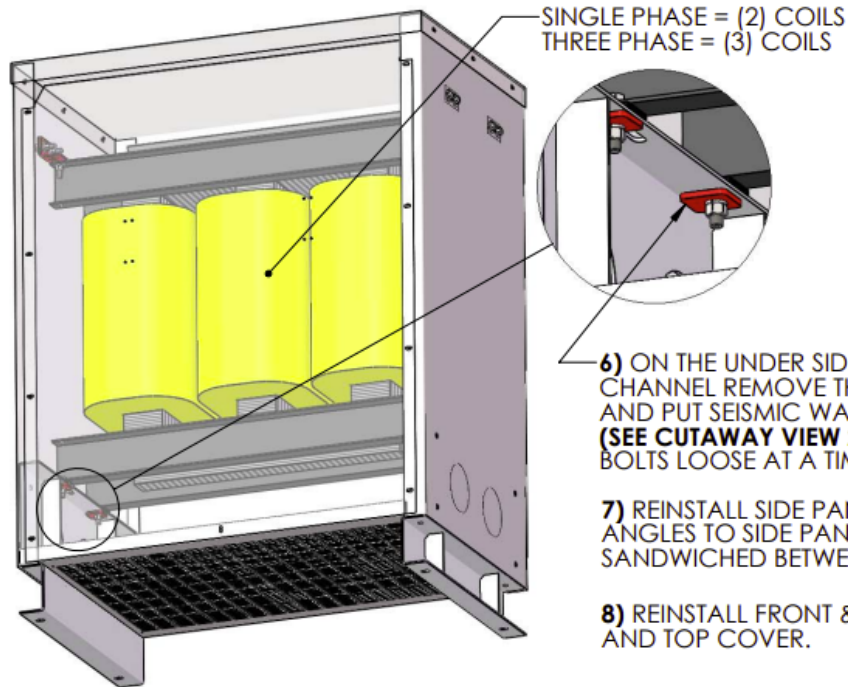
**3) BOLT SEISMIC ANGLES TO TOP CLAMP AS SHOWN. (SEE CUTAWAY VIEW 1 ON NEXT PAGE)**

**4) MARK HOLE LOCATIONS ON SIDE PANELS. (QTY. 4 PER SIDE) SEISMIC ANGLE MAY NOT BE CENTERED ON PANEL DUE TO CORE & COIL OFFSET.**

**5) REMOVE SIDE PANELS OR COVER COILS TO SHIELD FROM METAL SHAVINGS AND DRILL HOLES. **CAUTION:** METAL SHAVINGS CAN CAUSE ELECTRICAL FAILURE AND SERIOUS INJURY SHOULD THEY FALL INTO THE COILS.**



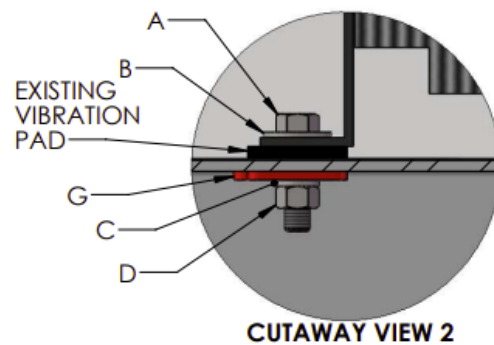
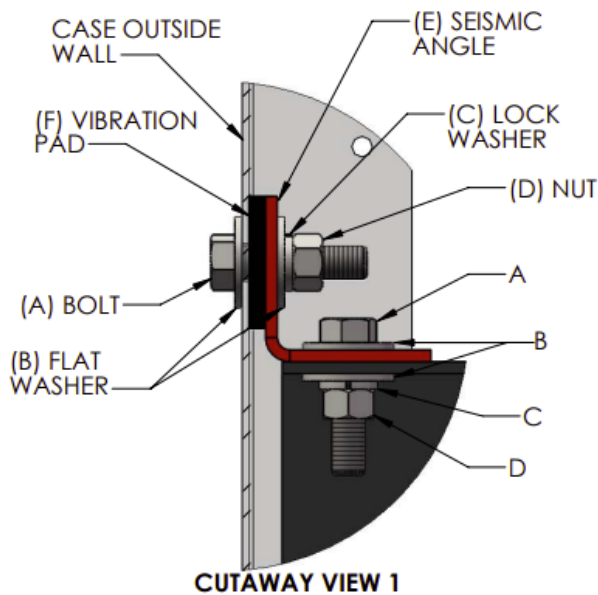
**\*\*DRAWINGS ARE FOR ILLUSTRATIVE PURPOSES ONLY. TRANSFORMER MODELS MAY VARY.\*\***



**6)** ON THE UNDER SIDE OF THE MOUNTING CHANNEL REMOVE THE ROUND WASHERS AND PUT SEISMIC WASHERS IN THEIR PLACE. **(SEE CUTAWAY VIEW 2)** NO MORE THAN 2 BOLTS LOOSE AT A TIME. (QTY. 4)

**7)** REINSTALL SIDE PANELS AND BOLT SEISMIC ANGLES TO SIDE PANELS WITH VIBRATION PAD SANDWICHED BETWEEN. **(SEE CUTAWAY VIEW 1)**

**8)** REINSTALL FRONT & REAR PANELS AND TOP COVER.



**\*\*DRAWINGS ARE FOR ILLUSTRATIVE PURPOSES ONLY. TRANSFORMER MODELS MAY VARY.\*\***