

WEATHERPROOF KIT INSTALLATION INSTRUCTIONS

- 1) Read and understand all the instructions before beginning installation.
 - 2) Check that no parts are missing from the weatherproof kit.
 - 3) If the transformer is energized, de-energize and lock out power supplying the transformer before proceeding.
 - 4) Remove the top two front panel screws that secure the front panel to the enclosure. Save the screws for re-use.
 - 5) Slip the rainhood lip up under the top cover flange.
 - 6) Line up the rainhood mounting holes with the existing holes in the enclosure. Using the screws removed in step 4, secure the rainhood to the enclosure - see figure 1.
 - 7) Install the other rainhood by repeating steps 4 thru 6 on the opposite side.
-
- 8) Remove the bottom two front panel screws that secure the front panel to the enclosure. Save the screws for re-use.
 - 9) Line up the rain deflector mounting holes with the existing holes in the enclosure. Using the screws removed in step 8, secure the rain deflector to the enclosure - see figure 2.
 - 10) Install the other rain deflector by repeating steps 8 and 9 on the opposite side.

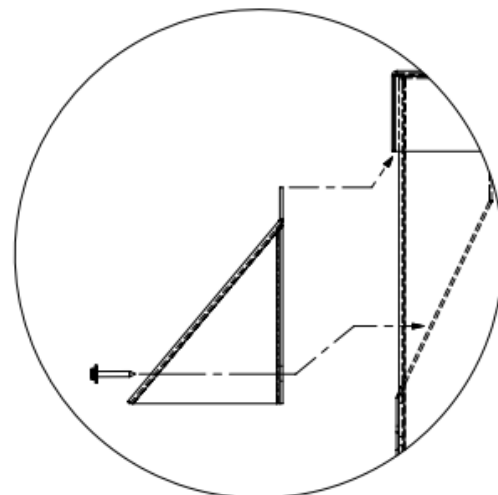


FIGURE 1 - RAINHOOD

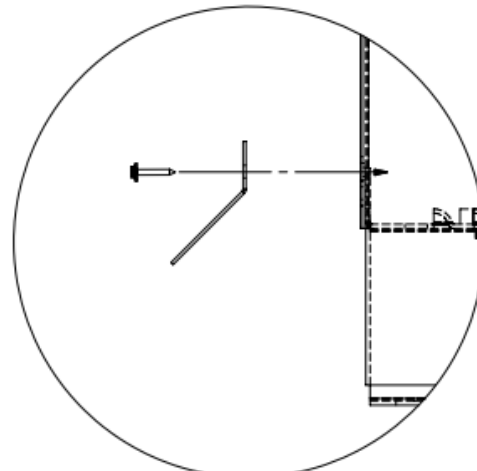


FIGURE 2 - RAIN DEFLECTOR

ITEMS SUPPLIED WITH WEATHERPROOF KIT

QTY:	DESCRIPTION
2	RAINHOODS
2	RAIN DEFLECTORS
1	INSTRUCTION SHEET